

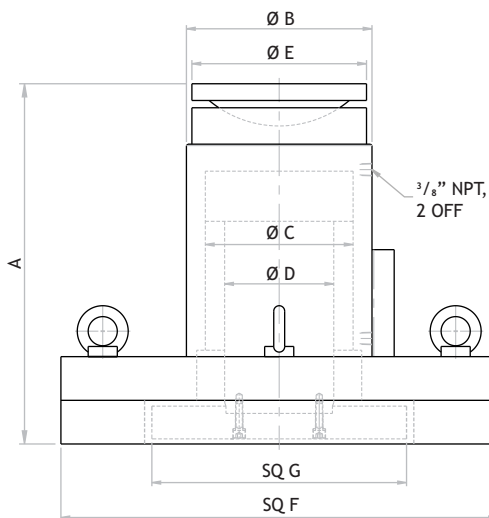
## Stage Lift Jacks

Capacity 100 - 600 ton / Stroke 150 mm / Max. Working Pressure 700 bar



### Features / Application

- To lift or lower heavy structure in stages at variable heights.



### Power Pack Unit for Synchronized Lift



**ODSL Series** - **O** Orione **D** Double acting **SL** Stage Lift **100** Capacity - ton **150** Stroke - mm

Capacity (ton)	Capacity (kN)	Stroke (mm)	Model	Effective area (cm <sup>2</sup> )	Oil cap. (cc)	Closed height A (mm)	Cylinder OD B (mm)	Bore dia. C (mm)	Ram dia. D (mm)	Saddle dia. E (mm)	Cylinder base F (mm)	Ram base G (mm)	Wt. (Approx.) (kg)
100	1077	150	ODSL 100-150	153.9	2310	450	175	140	110	170	Sq 525	Sq 270	300
200	2199	150	ODSL 200-150	314.2	4715	495	255	200	150	240	Sq 600	Sq 350	480
300	3167	150	ODSL 300-150	452.4	6786	560	310	240	180	305	Sq 680	Sq 420	700
400	4008	150	ODSL 400-150	572.6	8589	640	350	270	220	336	Sq 750	Sq 450	1120
500	4948	150	ODSL 500-150	706.9	10605	670	400	300	240	360	Sq 800	Sq 550	1230
600	5987	150	ODSL 600-150	855.3	12830	705	430	330	270	405	Sq 900	Sq 600	1800

- Higher capacity and customized solutions on request. ■ Specifications are subject to change due to continual improvement.
- Capacity and Stroke specified are maximum safe limits. As safe practice, use at 80% of rating.